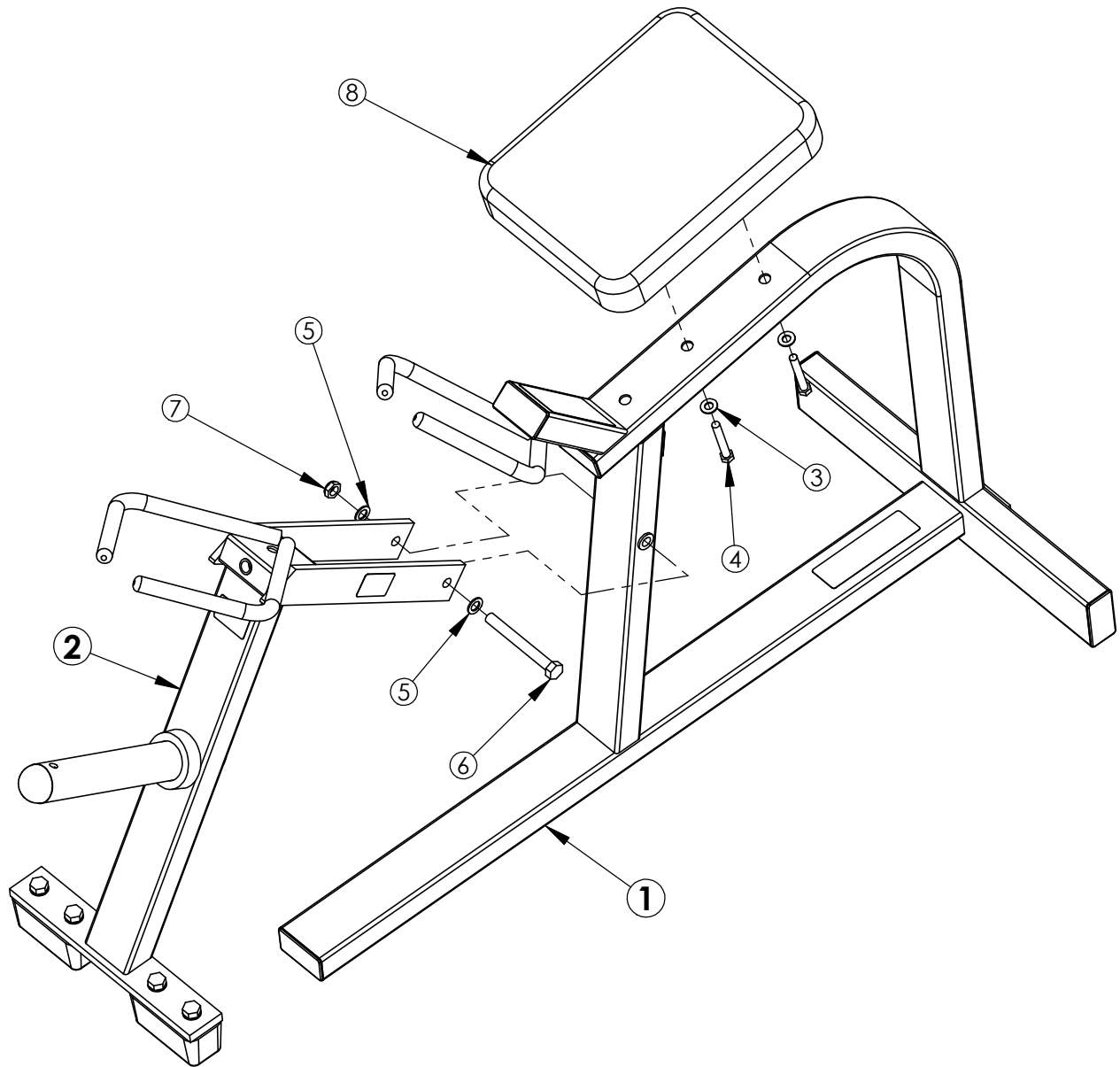


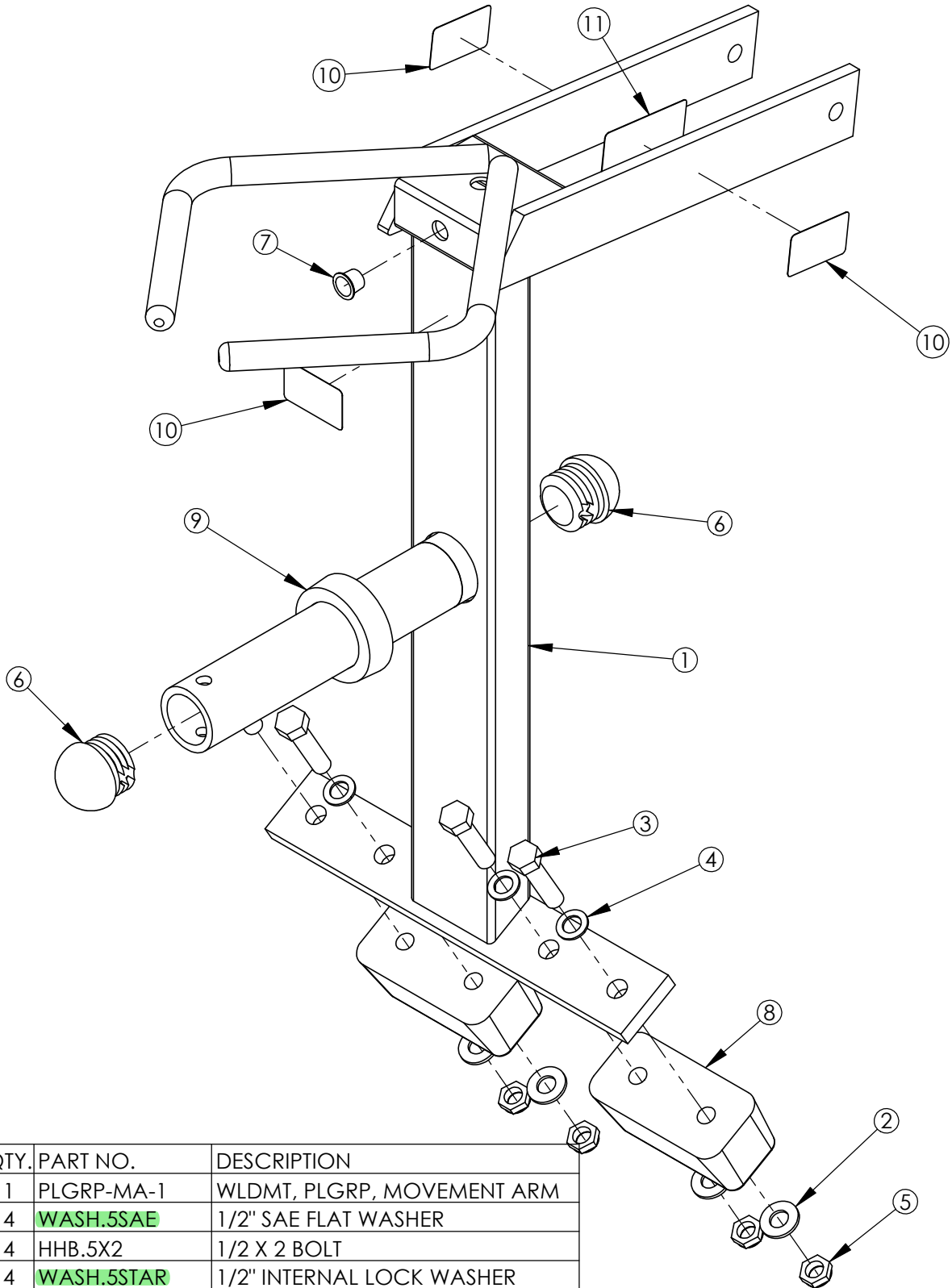
WEIGHT = 65 LB
LENGTH = 42"
WIDTH = 21"
HEIGHT = 33"

HAMMER STRENGTH EQUIPMENT PLGRP EXPLODED



ITEM NO.	QTY.	PART NO.	DESCRIPTION
1	1	PLGRP-CWB-0	ASSY, PLGRP, WORKBOX
2	1	PLGRP-CMA-2	ASSY, PLGRP, MOVEMENT ARM
3	2	WASH.375SAE	3/8" SAE FLAT WASHER
4	2	HHB.375X2.5	STEEL BOLT 3/8 X 2.5
5	2	WASH.5STAR	1/2" INTERNAL LOCK WASHER
6	1	HHB.5X4.5Bro	1/2 X 4 1/2 BOLT BRONZE
7	1	NUT.5JAMLOCK	1/2 THIN LOCK NUT
8	1	U-13-5	Standard 13" Pad

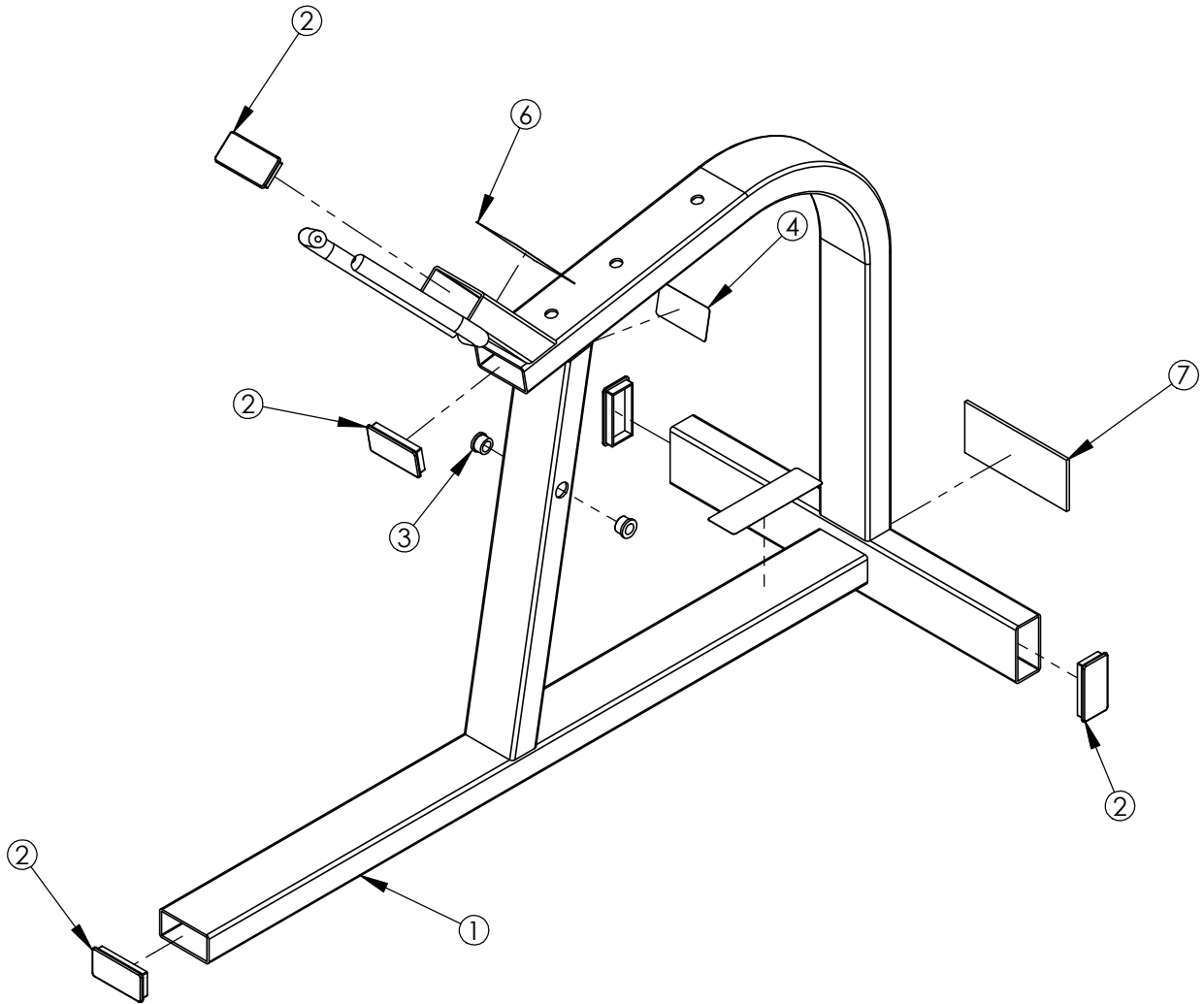
**HAMMER STRENGTH EQUIPMENT
PLGRP-CMA-2, ASSY, PLGRP, MOVEMENT ARM**



ITEM NO.	QTY.	PART NO.	DESCRIPTION
1	1	PLGRP-MA-1	WLDMT, PLGRP, MOVEMENT ARM
2	4	WASH.5SAE	1/2" SAE FLAT WASHER
3	4	HHB.5X2	1/2 X 2 BOLT
4	4	WASH.5STAR	1/2" INTERNAL LOCK WASHER
5	4	NUT.5JAMLOCK	1/2 THIN LOCK NUT
6	2	RUBCAP1-2	RUBBER CAP #1
7	1	H-HPLUG (REG)	9/16IN HOLE PLUG
8	2	H-BUMP-MED	MM2 MEDIUM
9	1	H-RUBRNG	MM5 RING
10	3	STAY CLEAR	STAY CLEAR DECAL
11	1	PATENT	PATENT DECAL

WEIGHT = 25 lb
 LENGTH = 26 1/8"
 WIDTH = 13 1/4"
 HEIGHT = 23"

HAMMER STRENGTH EQUIPMENT
PLGRP-CWB-0, ASSY, PLGRP, WORKBOX



ITEM NO.	QTY.	PART NO.	DESCRIPTION
1	1	PLGRP-WB-0	WLDMT, PLGRP, WORKBOX
2	5	RC1530-1Q1	CAP:1-1/2 X 3 RECTANGLE PLUG
3	2	STEELBUSH	3/4 I.D. FLANGED DRILL BUSHING
4	1	SERIAL NUMBER	SERIAL NUMBER
5	1	GRIPPER	PRODUCT DECAL
6	1	WARNING LARGE-V	LARGE WARNING VERT.
7	1	H-NAME PLATE	NAMEPLATE (45156-P)

WEIGHT = 41 lb
 LENGTH = 41 7/8"
 WIDTH = 21 3/8"
 HEIGHT = 33 1/4"